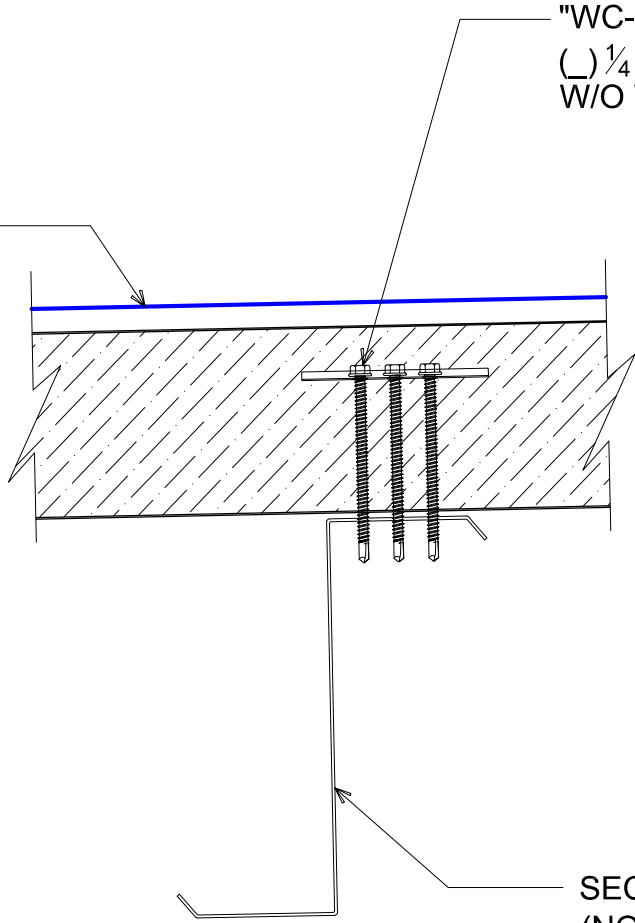


**NOTE: FASTENING SCHEDULE
MAY VARY DEPENDING ON
SPECIFIC APPLICATION.**

ONEDEK® THERMOPLASTIC
ROOF MEMBRANE
(SEE "ONEDEK® ROOFING
MEMBRANE" FOR ATTACHMENT
OPTIONS)



"WC-01" PANEL CLIP W/
() 1/4 - 14 x _ TEK 3 FASTENERS
W/O WASHER AT PANEL JOINT

SECONDARY FRAMING
(NOT BY ONEDEK®
SUPPLIER)

INTM. RD1 ROOF FASTENING (HIDDEN CLIP)

(SECTION VIEW)

DETAIL:

INTERMEDIATE RD1 ROOF FASTENING (HIDDEN CLIP)

APPLICATION: RD1 ROOF DECK, COMMERCIAL & INDUSTRIAL, COLD-STORAGE	DATE: 11/12/20	SHEET: 1	OF 1
AWIP DETAIL NUMBER: RDR-CICS-IR-002	DRAWN BY: MMF		

929 ALDRIDGE ROAD
VACAVILLE, CA 95688
TEL: (707) 359-2280
FAX: (707) 359-2286
WWW.AWIPANELS.COM

