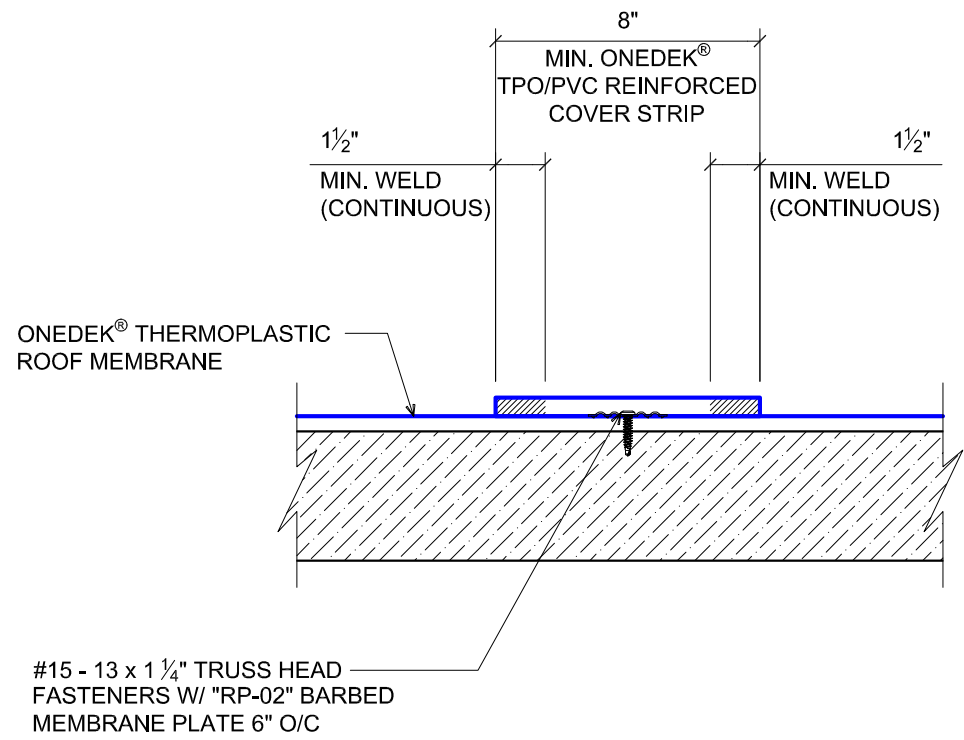


ISOMETRIC VIEW



CONTINUOUS STRIP FASTENING METHOD

(SECTION VIEW)



All Weather Insulated Panels

929 ALDRIDGE ROAD  
 VACAVILLE, CA 95688  
 TEL: (707) 359-2280  
 FAX: (707) 359-2286  
 WWW.AWIPANELS.COM

DETAIL:

CONTINUOUS STRIP FASTENING METHOD

APPLICATION:  
 ONEDEK® MECHANICALLY ATTACHED, COMMERCIAL & INDUSTRIAL, COLD-STORAGE  
 JOB NUMBER:  
 ODR-CICS-MMA-005

DATE:  
 11/07/22  
 DRAWN BY:  
 MMF

SHEET:

1 OF 1