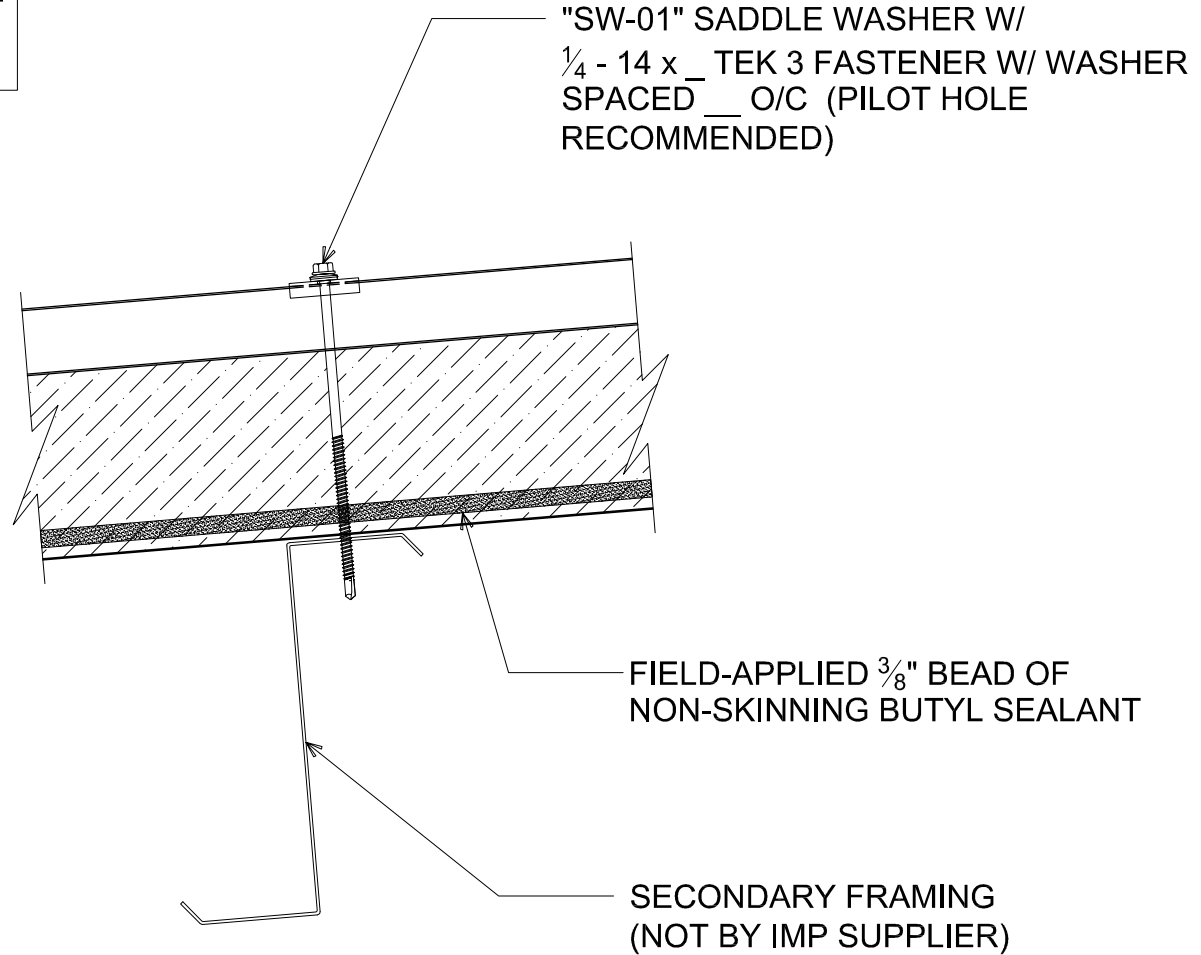


NOTE: FASTENING SCHEDULE  
MAY VARY DEPENDING ON  
SPECIFIC APPLICATION.



# HR ROOF INTERMEDIATE FASTENING

(SECTION VIEW)

DETAIL:  
**INTERMEDIATE ROOF FASTENING**

APPLICATION:  
HR ROOF, COMMERCIAL & INDUSTRIAL  
AWIP DETAIL NUMBER:  
HRR-ACHR-001

DATE:  
11/19/20  
DRAWN BY:  
MMF

SHEET:  
1  
OF  
1

929 ALDRIDGE ROAD  
VACAVILLE, CA 95688  
TEL: (707) 359-2280  
FAX: (707) 359-2286  
WWW.AWIPANELS.COM

**All Weather**  
Insulated Panels

