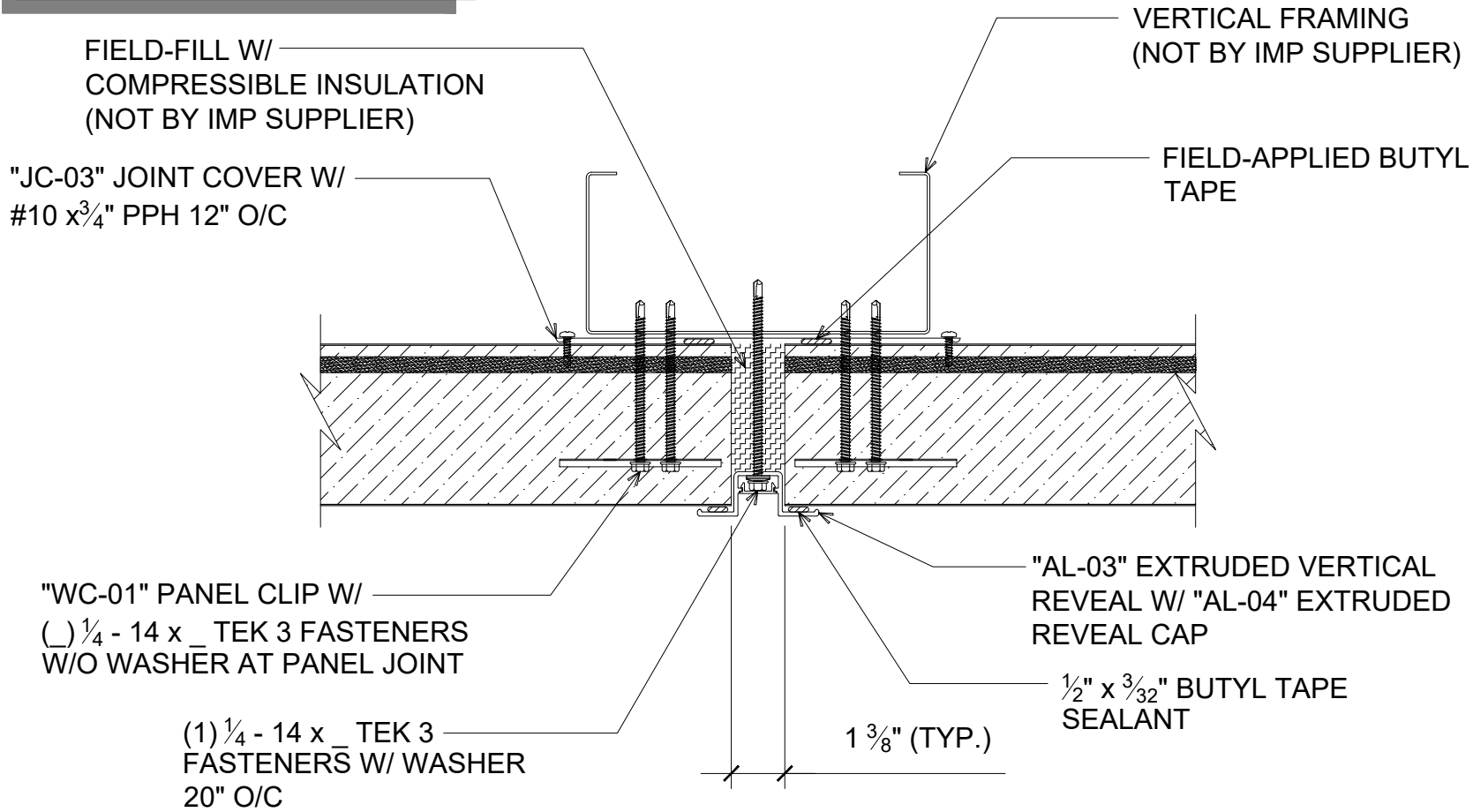


**NOTE: "JC-" JOINT COVER MUST TUCK INTO BASE FLASHING .**



# # PANEL TRANSITION AT END JOINT

(PLAN VIEW)



DETAIL: **PANEL TRANSITION - END JOINT**

APPLICATION:  
HORIZONTAL WALL, COMMERCIAL & INDUSTRIAL  
AWIP DETAIL NUMBER:  
AHW-ACI-PT-002

929 ALDRIDGE ROAD  
VACAVILLE, CA 95688  
TEL: (707) 359-2280  
FAX: (707) 359-2286  
WWW.AWIPANELS.COM

**All Weather**  
Insulated Panels



SHEET:  
DATE: 02/07/23  
DRAWN BY: MMF  
1 OF 1