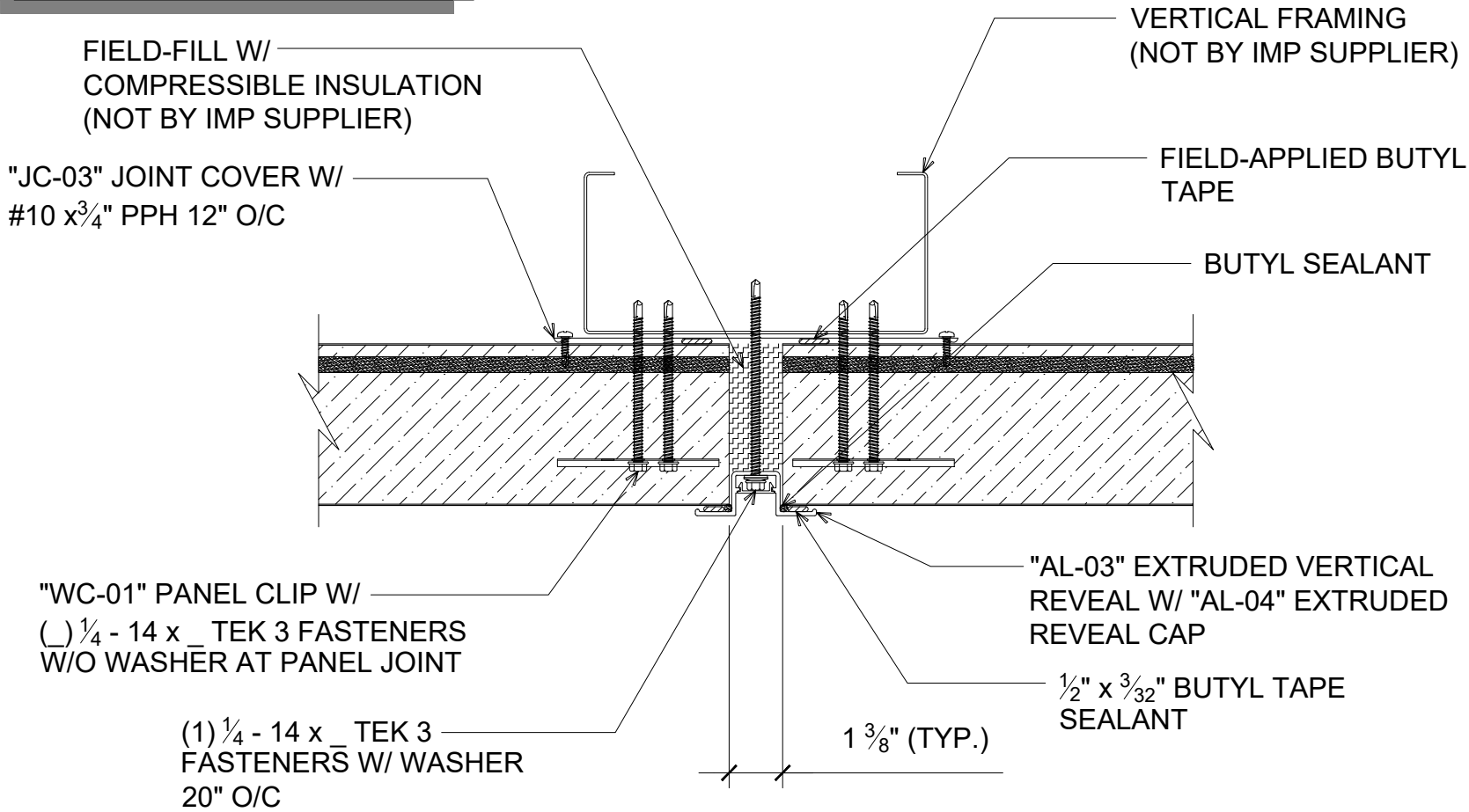


**NOTE: "JC-" JOINT COVER MUST TUCK INTO BASE FLASHING .**



# # PANEL TRANSITION AT END JOINT

(PLAN VIEW)



DETAIL: **PANEL TRANSITION - END JOINT**

929 ALDRIDGE ROAD  
VACAVILLE, CA 95688  
TEL: (707) 359-2280  
FAX: (707) 359-2286  
WWW.AWIPANELS.COM

**All Weather**  
Insulated Panels



APPLICATION:  
HORIZONTAL WALL, COMMERCIAL & INDUSTRIAL  
AWIP DETAIL NUMBER:  
AHW-ACI-PT-001

DATE:  
02/07/23  
DRAWN BY:  
MMF

SHEET:  
1  
OF  
1