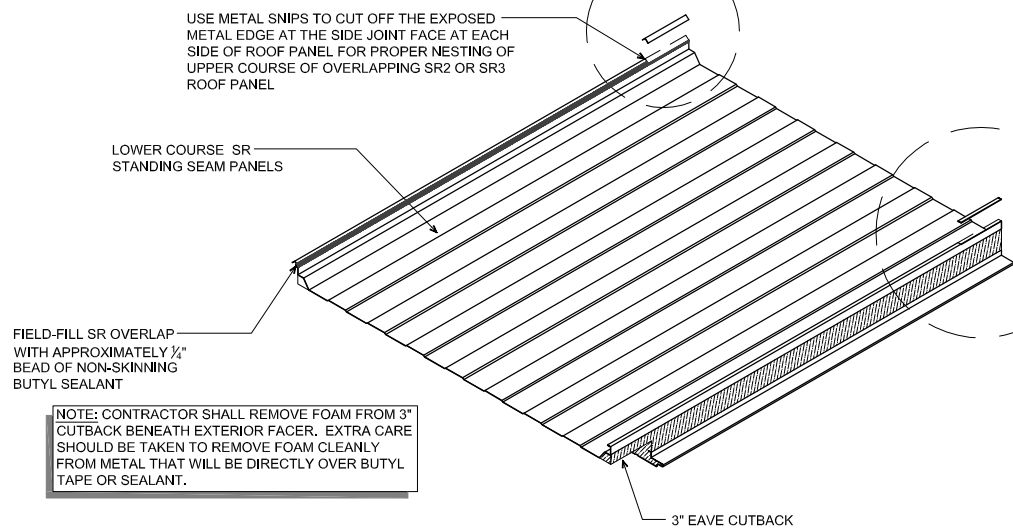
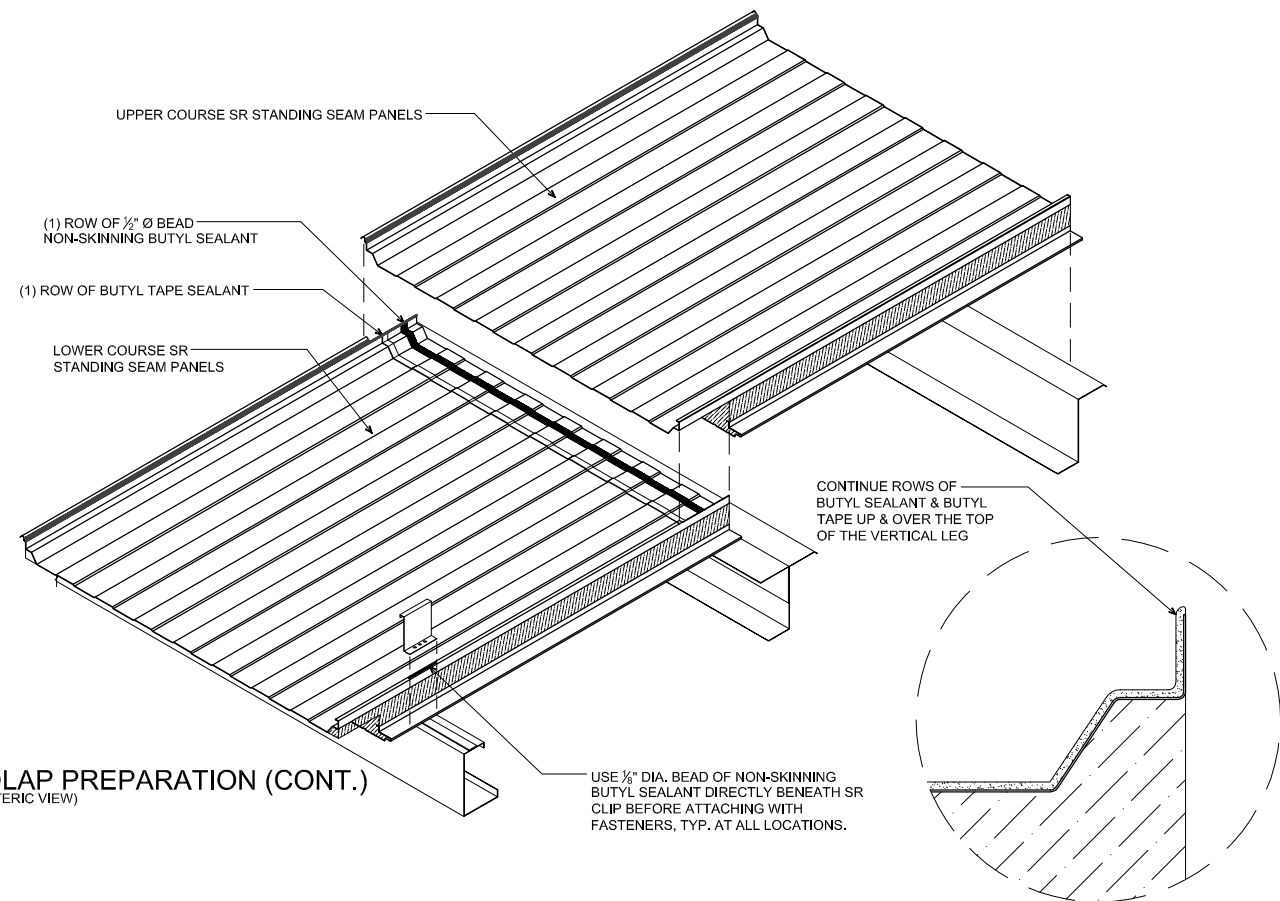


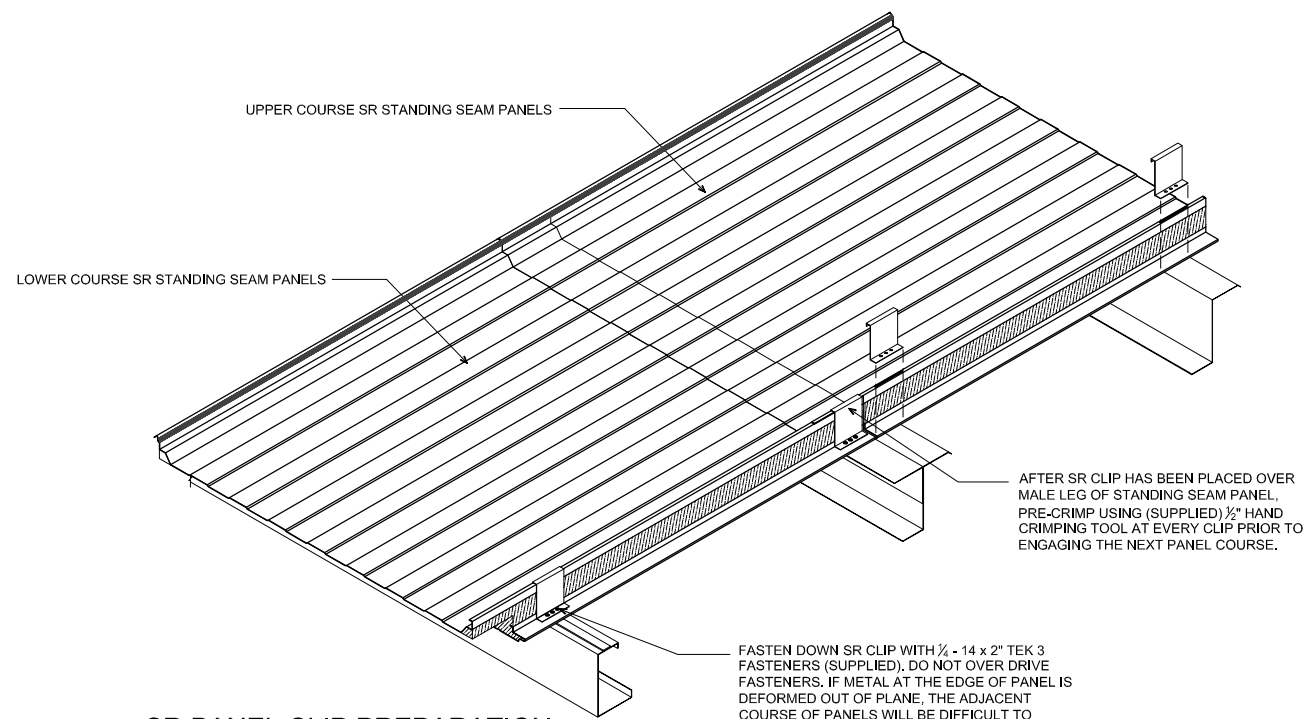
**ENDLAP PREPARATION**  
(ISOMETRIC VIEW)



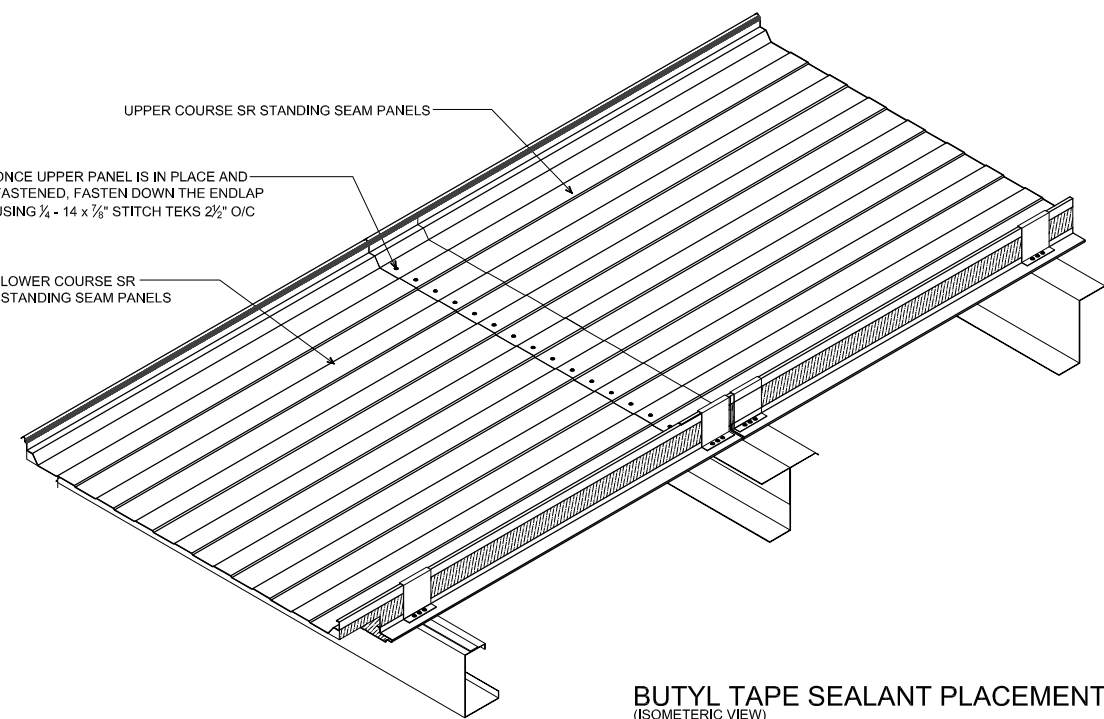
**EAVE PREPARATION**  
(ISOMETRIC VIEW)



**ENDLAP PREPARATION (CONT.)**  
(ISOMETRIC VIEW)



**SR PANEL CLIP PREPARATION**  
(ISOMETRIC VIEW)



**BUTYL TAPE SEALANT PLACEMENT**  
(ISOMETRIC VIEW)

DETAIL: **ISOMETRIC - MULTI-COURSE**

APPLICATION: SR ROOF, COMMERCIAL & INDUSTRIAL  
AWIP DETAIL NUMBER: SRR-ACHISO-002

929 ALDRIDGE ROAD  
VACAVILLE, CA 95688  
TEL: (707) 359-2280  
FAX: (707) 359-2286  
WWW.AWIPANELS.COM

