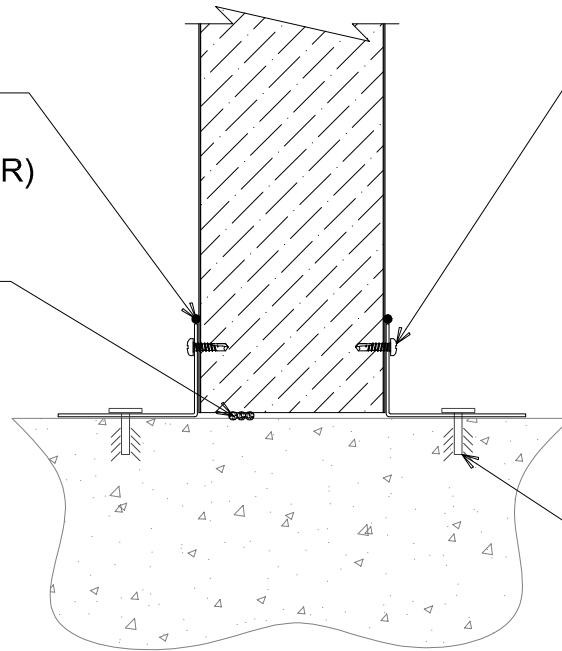


SILICONE SEALANT AFTER  
TEMPERATURE PULL-DOWN  
(OPTIONAL; NOT BY IMP SUPPLIER)

BUTYL SEALANT  
(MARRY TO VERTICAL SEALANT)

NOTE: REFER TO PANEL JOINT  
DETAIL(S) FOR VERTICAL  
SEALANT LOCATION(S).



"BA-01" BASE ANGLE W/  
#10 x 3/4" PPH 12" O/C

CONCRETE ANCHORS  
(NOT BY IMP SUPPLIER)

# # PARTITION BASE CONDITION - FLUSH

(SECTION VIEW)

DETAIL:

## BASE CONDITION - FLUSH

APPLICATION:

PARTITION WALL, COOLER, FREEZER

AWIP DETAIL NUMBER:

APC-ICJF-BC-001

DATE:

04/03/19

DRAWN BY:

MMF

SHEET:

1

OF

1

929 ALDRIDGE ROAD  
VACAVILLE, CA 95688  
TEL: (707) 359-2280  
FAX: (707) 359-2286  
WWW.AWIPANELS.COM

**All Weather**  
Insulated Panels

