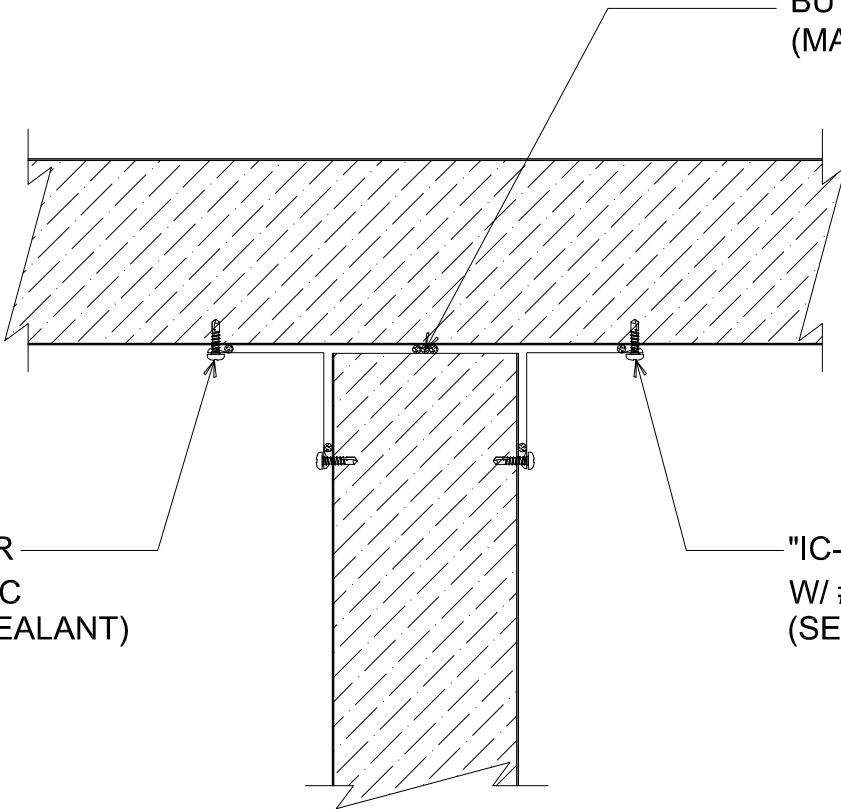


NOTE: REFER TO PANEL JOINT
DETAIL(S) FOR VERTICAL
SEALANT LOCATION(S).

BUTYL SEALANT
(MARRY TO VERTICAL SEALANT)



"IC-01" INSIDE CORNER
W/ #10 x 3/4" PPH 12" O/C
(SET TRIM IN BUTYL SEALANT)

"IC-01" INSIDE CORNER
W/ #10 x 3/4" PPH 12" O/C
(SET TRIM IN BUTYL SEALANT)

PARTITION TO CEILING - BUTT

(SECTION VIEW)

DETAIL:

PARTITION TO CEILING - BUTT

APPLICATION:
PARTITION WALL, CEILING, AMBIENT. COOLER
AWIP DETAIL NUMBER:
APC-AIIC-CT-004

DATE:
04/03/19
DRAWN BY:
MMF

SHEET:
1
OF
1

929 ALDRIDGE ROAD
VACAVILLE, CA 95688
TEL: (707) 359-2280
FAX: (707) 359-2286
WWW.AWIPANELS.COM

