

FIELD-CUT THERMAL BREAK

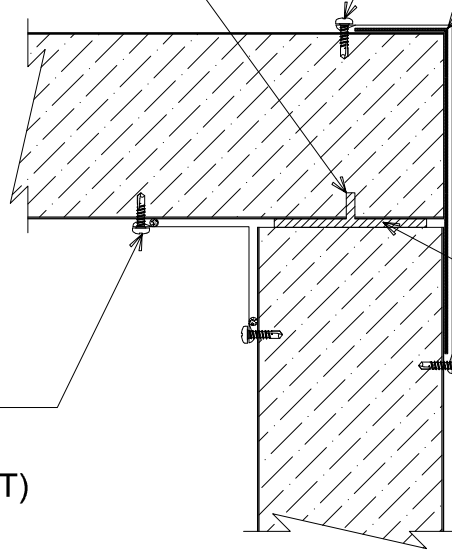
"OC-X2" OUTSIDE CORNER W/
10 x 3/4" PPH 12" O/C

PEEL & STICK BITUMEN
MEMBRANE

WARM SIDE

ONE-PART EXPANDING FOAM
SEALANT (OPTIONAL; NOT BY IMP
SUPPLIER)

"IC-01" INSIDE CORNER
W/ #10 x 3/4" PPH 12" O/C
(SET TRIM IN BUTYL SEALANT)



CORNER TRANSITION (FREEZER)

(PLAN VIEW)

DETAIL:

CORNER TRANSITION

APPLICATION:

PARTITION WALL, FREEZER

AWIP DETAIL NUMBER:

APC-AIF-CT-001

DATE:

04/03/19

DRAWN BY:

MMF

SHEET:

1

OF

1

929 ALDRIDGE ROAD
VACAVILLE, CA 95688
TEL: (707) 359-2280
FAX: (707) 359-2286
WWW.AWIPANELS.COM

All Weather
Insulated Panels

